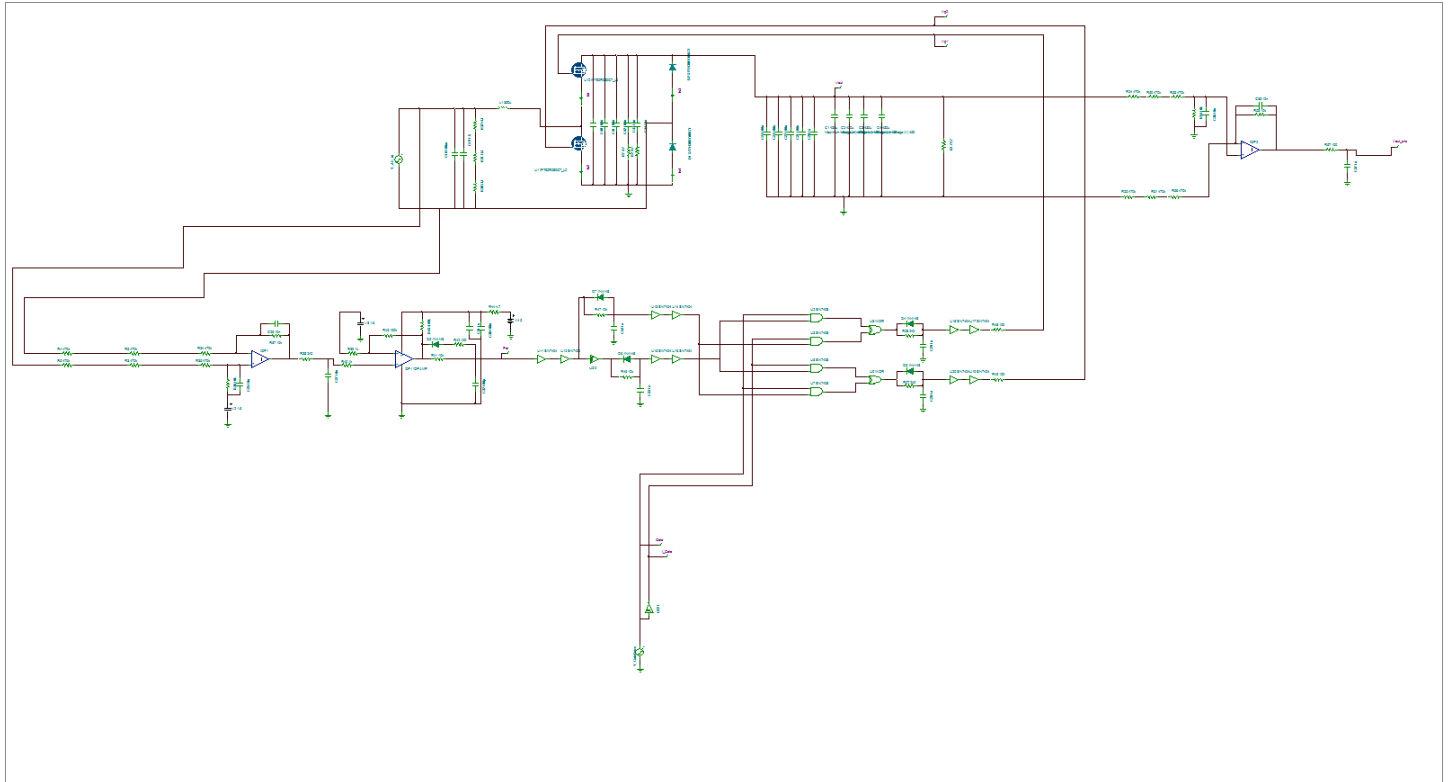


# ttpwitoutcs



## Bill of Materials

Type	Name	Value	Footprint
And gate x 4	U2, U3, U6, U7	SN7408 x 4	
Battery x 3	V2, V3, V4	1.6 x 2, 5	
Capacitor x 29	C1, C18, C19, C2, C20, C21, C22, C23, C24, C25, C26, C27, C28, C29, C3, C30, C31, C32, C33, C34, C35, C36, C37, C4, C40, C41, C42, C43, C44	1.5, 100m, 100n x 8, 100p, 10n x 7, 1n x 3, 1u x 4, 430u x 4	CAPAE660X600N x 29
Current Arrow x 4	Is1, Is2, Is3, Is4		
Diode x 5	D3, D4, D5, D6, D7	1N4148 x 5	
IPT60R080G7_L0 x 2	U1, U10	IPT60R080G7_L0 x 2	
Ideal Op. Amplifier x 2	IOP1, IOP2		
Inductor	L1	350u	INDM108103X400N
Inverter x 10	U11, U12, U13, U14, U15, U16, U17, U18, U19, U20	SN7404 x 10	
Operational amplifier	OP1	!OPAMP	
Resistor x 37	R1, R2, R24, R25, R27, R28, R3, R30, R31, R32, R34, R35, R36, R37, R38, R39, R4, R40, R41, R42, R43, R44, R45, R46, R47, R48, R49, R5, R50, R51, R53, R54, R55, R56, R57, R6, R7	100 x 4, 100k, 10k x 7, 1M x 3, 1k x 2, 4.7 x 3, 470k x 12, 72.7, 240 x 3, 4.99k	RESC0603X26N x 37
STTH30RQ06GY x 2	D1, D2	STTH30RQ06GY x 2	
Sch-NOTgate x 2	U22, U5	0, 1	
Voltage Generator x 2	V_AC_in, V_GateDrive		
Voltage Pin x 7	Gate, I_Gate, Pol, Vg1, Vg2, Vout, Vout_sns		
Xor gate x 2	U8, U9	!XOR x 2	



# Disclaimer

## Warranties and Disclaimers

- All Materials in this Report are provided "as is". Infineon makes no warranties or representations with regard to these Material of any kind, whether express or implied, including without limitation, warranties or representations of merchantability, fitness for a particular purpose, title and non-infringement of any third party intellectual property right. In particular, the user acknowledges and agrees that the application notes, reference designs simulations and/or other such design materials on this Report (hereinafter "Design Materials") are provided as an example only and that user will exercise its own independent analysis and judgment in its use of the Design Materials. Infineon assumes no liability for use of the Design Materials and/or user's product designs and/or any applications assistance provided by Infineon. Except for the rights of use and other rights expressly granted herein, no other rights are granted to the user nor shall any obligation be implied requiring the grant of further rights. Use of the Materials on this Report may require a license from a third party, or a license from Infineon.
- Infineon reserves the right to make corrections, deletions, modifications, enhancements, improvements and other changes to the Materials, its products, programs and services at any time or to move or discontinue any Materials, products, programs, or services without notice.

## Liability

- a) Nothing in these Terms of Use shall limit or exclude Infineon's liability under mandatory liability laws, for injuries to life, body or health, for fraudulent concealment of defects, or in cases of Infineon's intentional misconduct or gross negligence.
- b) Without prejudice to Section Liability a) above, in cases of Infineon's slight negligent breach of obligations that restrict essential rights or duties arising from the nature of these Terms of Use or of an obligation whose observance the user regularly may trust in, Infineon's liability shall be limited to the typical, foreseeable damage.
- c) Without prejudice to Sections Liability a) and b) above, Infineon's liability under these Terms of Use shall be excluded in all other cases.

Reference: <http://www.infineon.com/cms/en/about-infineon/usage-terms/>

For questions please contact our support team: <http://www.infineon.com/support>