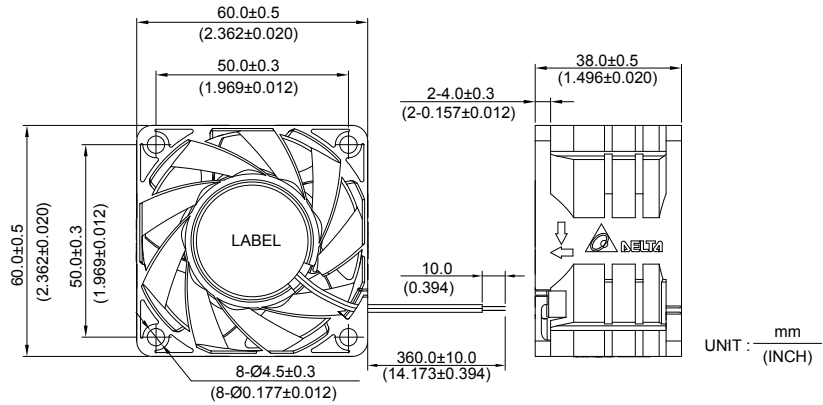


New



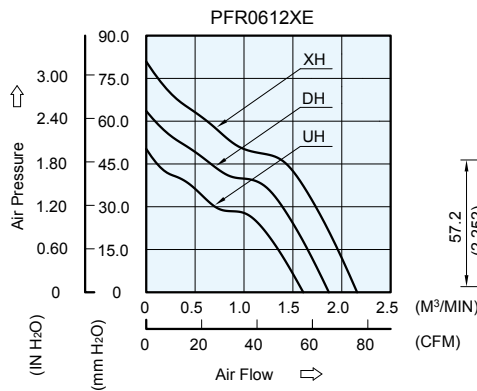
PFR 60 x 60 x 38 MM SERIES

■ DIMENSIONS DRAWING

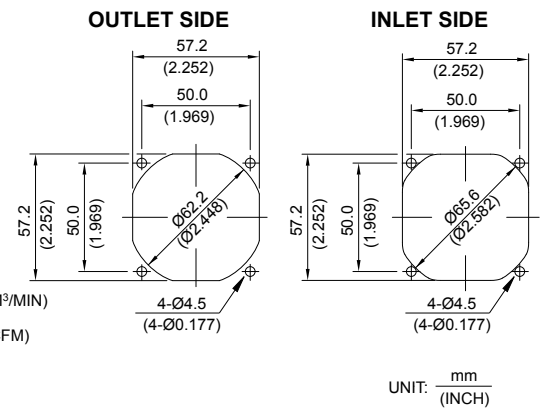


- * Bearing Type
Ball Bearings
- * Material
Impeller & Frame: Plastic (UL 94V-0)
- * Lead Wires :
UL 1061 AWG #22 OR Equivalent
Red Wire Positive(+)
Black Wire Negative(-)
- * Weight : 130g (4.59 oz)

■ P & Q CURVE (AT RATED VOLTAGE)



■ MOUNTING PANEL CUTOUT



MODEL		Rated Voltage	Operating Voltage Range	Input Current	Input Power	Speed	Maximum Air Flow		Maximum Air Pressure		Noise
PART NO.	FUNCTION	VDC	VDC	Amp	Watt	R.P.M.	m ³ /min	CFM	mmH ₂ O	IN H ₂ O	dB-A
PFR0612UHE	-R00 / -F00	12	7.0 to 13.2	1.00	12.00	12500	1.606	56.70	50.27	1.979	60.2
PFR0612DHE	-R00 / -F00	12	7.0 to 13.2	1.60	19.20	14500	1.868	65.95	63.56	2.502	63.3
PFR0612XHE	-R00 / -F00	12	7.0 to 13.2	2.30	27.60	16500	2.157	76.16	80.90	3.185	67.7

- * Function type is optional.
- * The max. air flow and the speed are measured in free air ; max. air pressure is measured at zero air flow.
- * Noise is measured in anechoic chamber in free air, one meter from intake side.
- * All readings are typical values at rated voltage.
- * Specifications are subject to change without notice.

Mouser Electronics

Authorized Distributor

Click to View Pricing, Inventory, Delivery & Lifecycle Information:

Delta Electronics:

[PFR0612XHE-R00](#) [PFR0612UHE-R00](#) [PFR0612DHE-R00](#) [PFR0612XHE-F00](#) [PFR0612DHE-SP00](#) [PFR0612XHE-SP00](#) [PFR0612UHE-F00](#) [PFR0612UHE](#) [PFR0612DHE-F00](#) [PFR0612XHE](#) [PFR0612DHE](#) [PFR0912DHE-R00](#) [PFR0912UHE-F00](#) [PFR0812DHE](#) [PFR0812DHE-R00](#) [PFR0912UHE-R00](#) [PFR0912DHE-F00](#) [PFR0812DHE-F00](#) [PFR0912DHE](#) [PFR0912UHE](#)