

1

2

3

4

5

6

A

B

C

D

E

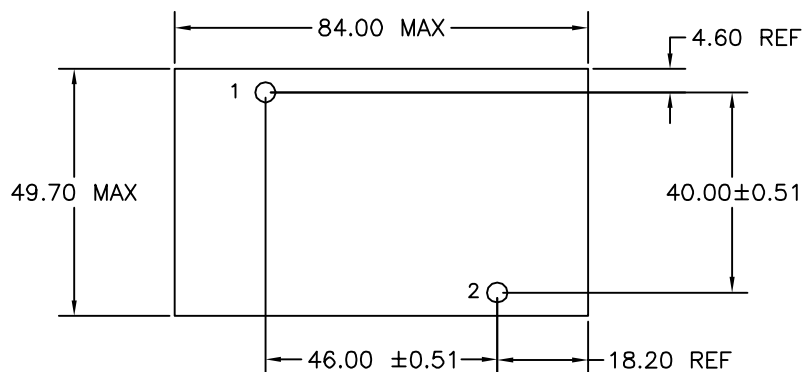
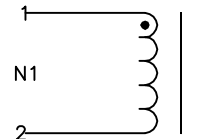
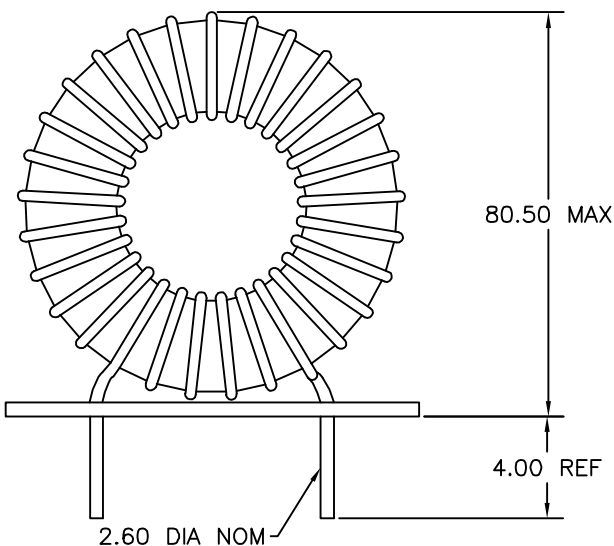
F

G

H

I

J



BOTTOM VIEW

| |
|--------------------|
| CUSTOMER APPROVAL |
| Signature |
| Print or Type Name |
| Date |

ELECTRICAL SPECIFICATIONS
 L @ 1kHz 10mA - 399uH ±10%
 DCR - OHMS TYP, TOL TBD
 N1 - 0.029

RoHS COMPLIANT

| REVISION | | DATE | MARKINGS | LOCATION |
|----------|------------------|----------|---|---|
| 0 | PRELIMINARY | 10/27/17 | CRAMER DATE CODE T26586 | ON THE BASE |
| 1 | UPDATED PIN OUTS | 10/31/17 | DESCRIPTION 399 MICROHENRY 32 A PEAK INDUCTOR | TOLERANCE UNLESS OTHERWISE SPECIFIED 2 PLACE DECIMALS ±.010 3 PLACE DECIMALS ±.005 FRACTIONS ±1/64 ANGLES ±1/2° PROPRIETARY INFORMATION PROPERTY OF CRAMER COIL & TRANSFORMER CO. DUPLICATION AND/OR DISTRIBUTION BY PERMISSION ONLY |
| A | RELEASED | 01/25/18 | CUSTOMER WOLFSPEED | |
| | | | | |
| | | | | |
| | | | G:\DATA\SPECS\ENG\T\26586 | CUSTOMER PART NUMBER |
| | | | DR. NJW | DATE 10/27/17 |
| | | | APPD. MJA | DATE 01/25/18 |
| | | | | CRAMER PART NUMBER T26586 |
| | | | | REV A |

1

2

3

4

5

6